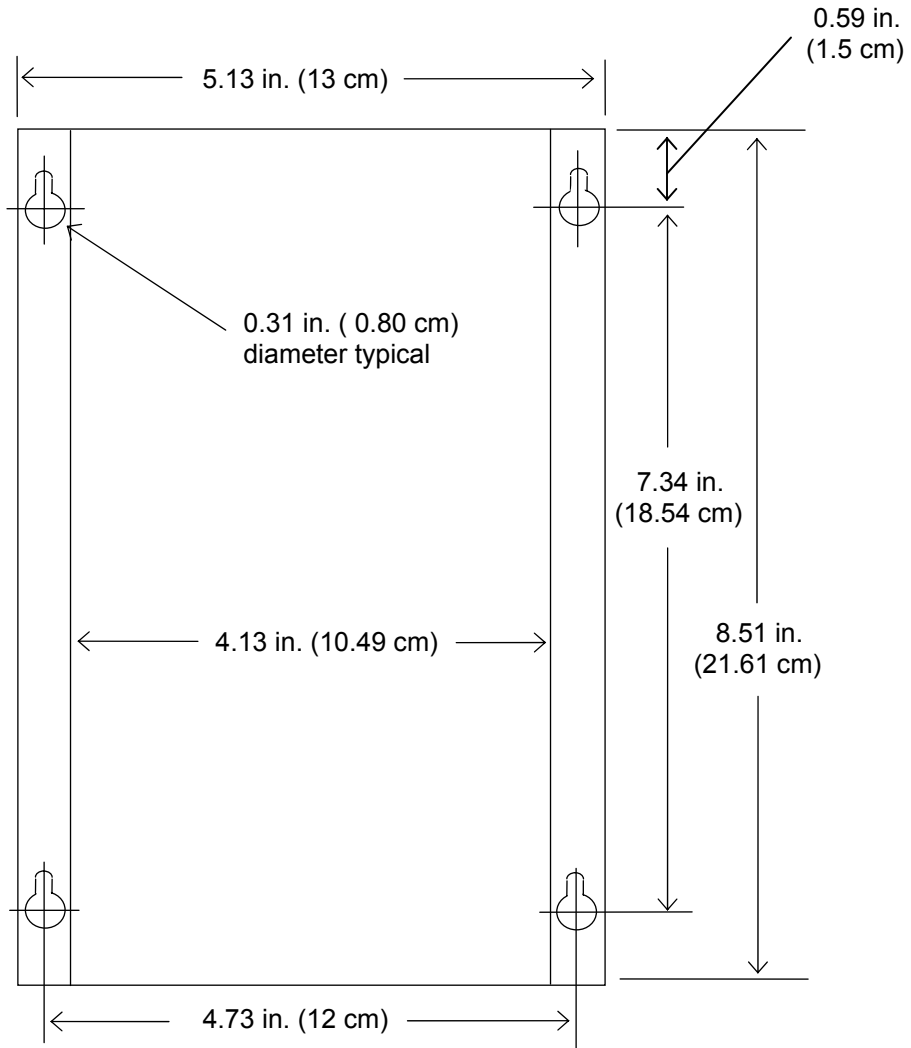


a. Fiber Service Unit front view



b. Fiber Service Unit top view

Figure 12. Mounting Dimensions, RFL 93 FSU Fiber Service Unit (107460-1 to 107460-5 and 108015-1 to 108015-5)

Notice

The information in this publication is proprietary and confidential to RFL Electronics Inc. No part of this publication may be reproduced or transmitted, in any form or by any means (electronic, mechanical, photocopy, recording, or otherwise), or stored in any retrieval system of any nature, unless written permission is given by RFL Electronics Inc.

This publication has been compiled and checked for accuracy. The information in this publication does not constitute a warranty of performance. RFL Electronics Inc. reserves the right to revise this publication and make changes to its contents from time to time. We assume no liability for losses incurred as a result of out-of-date or incorrect information contained in this publication.



Disposal

When disposing of the equipment, it should be done in strict accordance with all local and national regulations for the disposal of electrical and electronic equipment. The printed circuit boards should be separated for recycling.

Email: sales@rfelect.com for information on other innovative RFL product



RFL Electronics Inc.

353 Powerville Road • Boonton Twp., NJ 07005-9151 USA

Tel: 973.334.3100 • Fax: 973.334.3863

Email: sales@rfelect.com • www.rfelect.com

Publication No. ID C37.94FSU

Printed in U.S.A.

Revised May 20, 2013